



KLD-Q Flash

Square diffuser with integrated light

KLD-Q Flash

Description

The KLD-Q Flash integrates light and air in the same element. Specially adapted for offices or Open Space applications.

Square diffuser for variable or constant air flow especially designed to maintain the ceiling or Coanda effect. Fixed blades four ways.

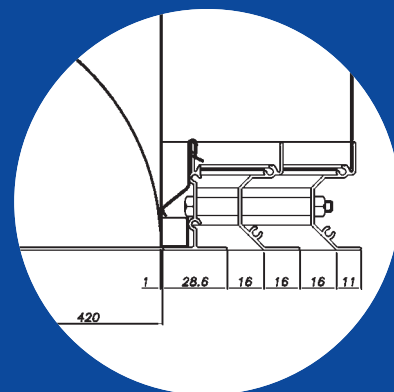
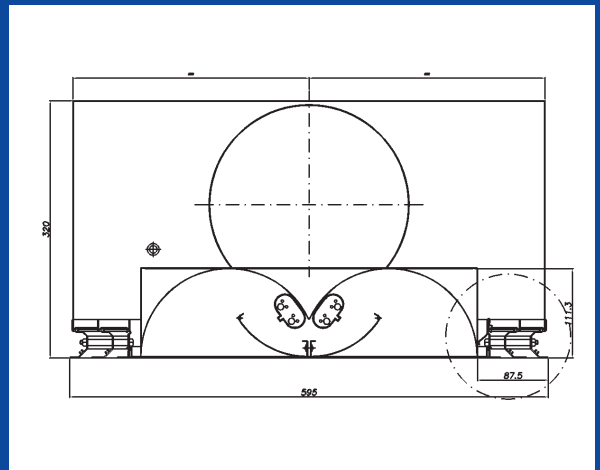
Direct/indirect lighting, fitted with P1 tube, 2 x 36 Watts and photometric class D with about 50 % efficiency.

It is available with two different patterns of perforation

Diffuser

KLD-Q Flash, 2 slots, 595x595 mm o/a, painted in Ral 9010.

Supplied with top or side entry plenum box



Mech-Elec UK,
Unit 1, Bretts Farm,
Romford Road,
Aveley,
Essex,
RM15 4XD.

Tel: +44 208133 9745

E-Mail: info@mech-elec.net

Web: <http://www.mech-elec.net>



QUICK SELECTION TABLE

Airflow - Sound power - ΔPt				
m ³ /h (Pa)				
25 dB(A)	30 dB(A)	35 dB(A)	40 dB(A)	45 dB(A)
375 (6)	475 (10)	600 (16)	760 (25)	960 (40)